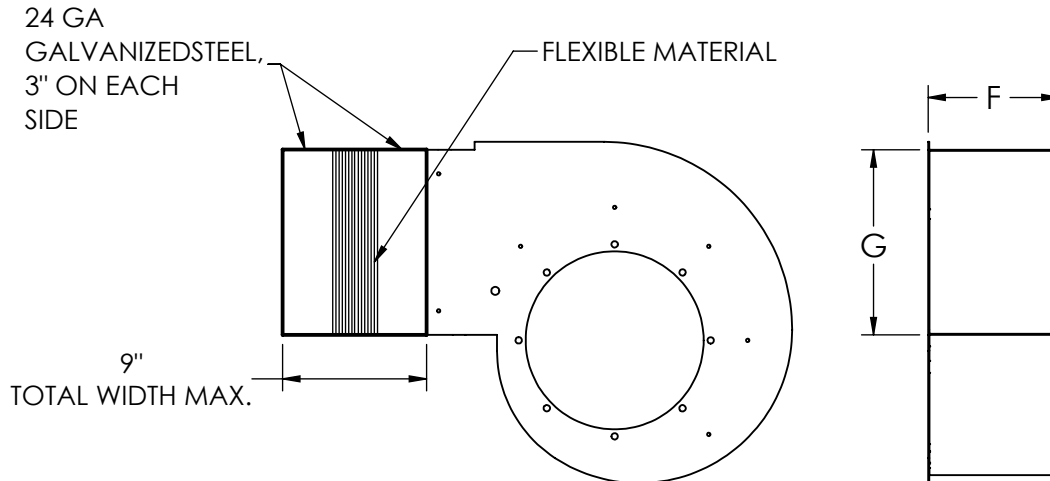




DATE: TAG:  
 JOB:  
 PROJECT:  
 COMPANY:  
 SALES PERSON:

UTILITY VENT SET FAN  
 UVS2, CLASS 1, OUTLET FLEXIBLE DUCT CONNECTOR



**MATERIAL**

1. MATERIAL IS SHIPPED LOOSE WITH FAN AND INSTALLED BY END USERS
2. FOR INDOOR UNITS NEOPRENE COATED FIBERGLASS FABRIC WILL BE USED AS FLEXIBLE MATERIAL
3. FOR OUTDOOR UNITS HYPALON WILL BE USED AS FLEXIBLE MATERIAL
4. MIN 2" OVERLAPPING MATERIAL IS PROVIDED FOR ADHESIVE

**FASTENING OPTIONS (PROVIDED BY OTHERS)**

1. STEEL DUCT CLAMPS
2. BOLTING INTO FAN USING SELF TAPPERS

**DIMENSIONAL DATA:**

SIZE	F (100% W)	F (80% W)	F (50% W)	G
60	8.19	-	-	11.56
70	8.19	-	-	11.56
80	8.19	-	-	11.56
105	8.19	-	-	11.56
122	9.88	9.25	-	13.06
135	10.88	10.19	-	14.38
150	12.06	11.31	-	15.88
165	13.25	12.44	-	17.56
182	14.06	13.09	11.63	20.06
200	15.38	14.38	12.75	22.00
222	17.13	16.00	14.13	24.50
245	18.75	17.50	15.63	27.00
270	20.63	19.38	17.13	29.75
300	23.00	21.50	19.13	32.88
330	25.25	23.63	21.00	36.19
365	27.88	26.13	23.25	40.06
402	30.75	28.88	25.63	44.13
445	34.00	31.88	28.25	48.75
490	37.50	35.13	31.13	53.50
542	41.50	38.88	34.50	59.19

ALL DIMENSIONS ARE IN INCHES

REVISION: FORM: REPLACES: